

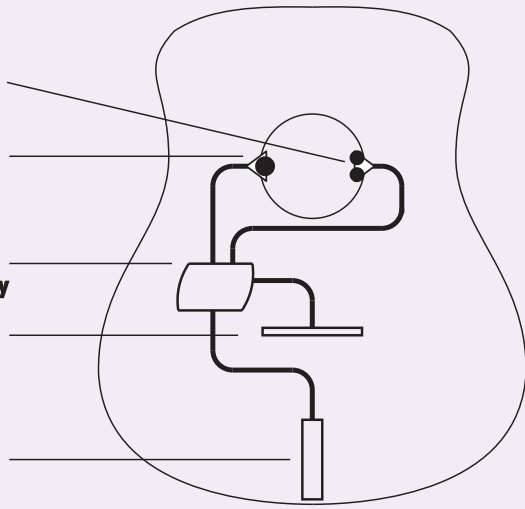
TREBLE / BASS

VOLUME CONTROL

GUITAR INTERNAL
PRE-AMPLIFIER
2x3V lithium battery

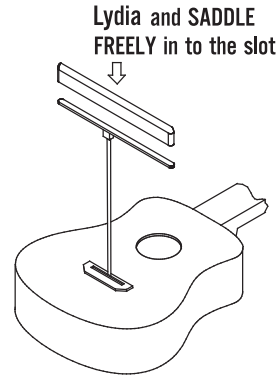
UNDERSADDLE
TRANSDUCER

END-PIN JACK
ø12mm (1/2")

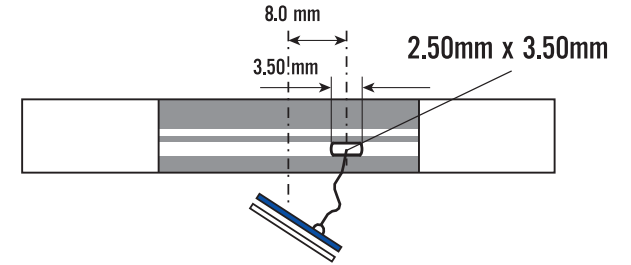


LYDIA ACTIVE EQ for classical guitars

LYDIA POSITIONING



classical guitar



POSITION OF THE SADDLE BY REPLACING OF THE STRINGS

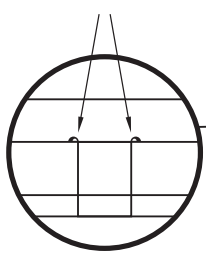
saddle slot :



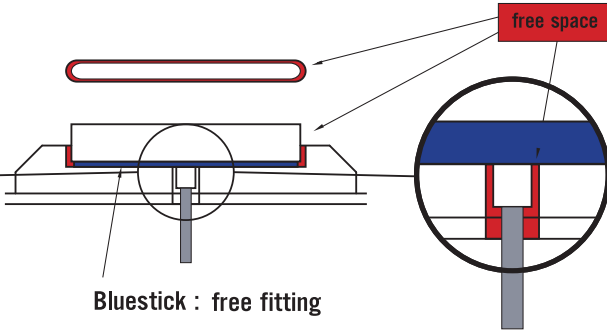
saddle :



no splinters

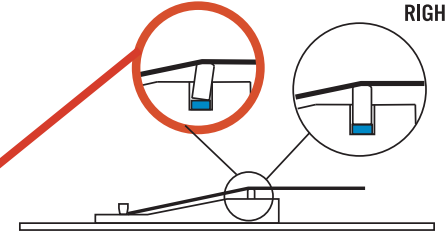


Bluestick : free fitting



WRONG !

RIGHT !



when change strings always
push with a piece of wood to
adjust the balance of the sound

